

NORWOLF[®] TOOL WORKS



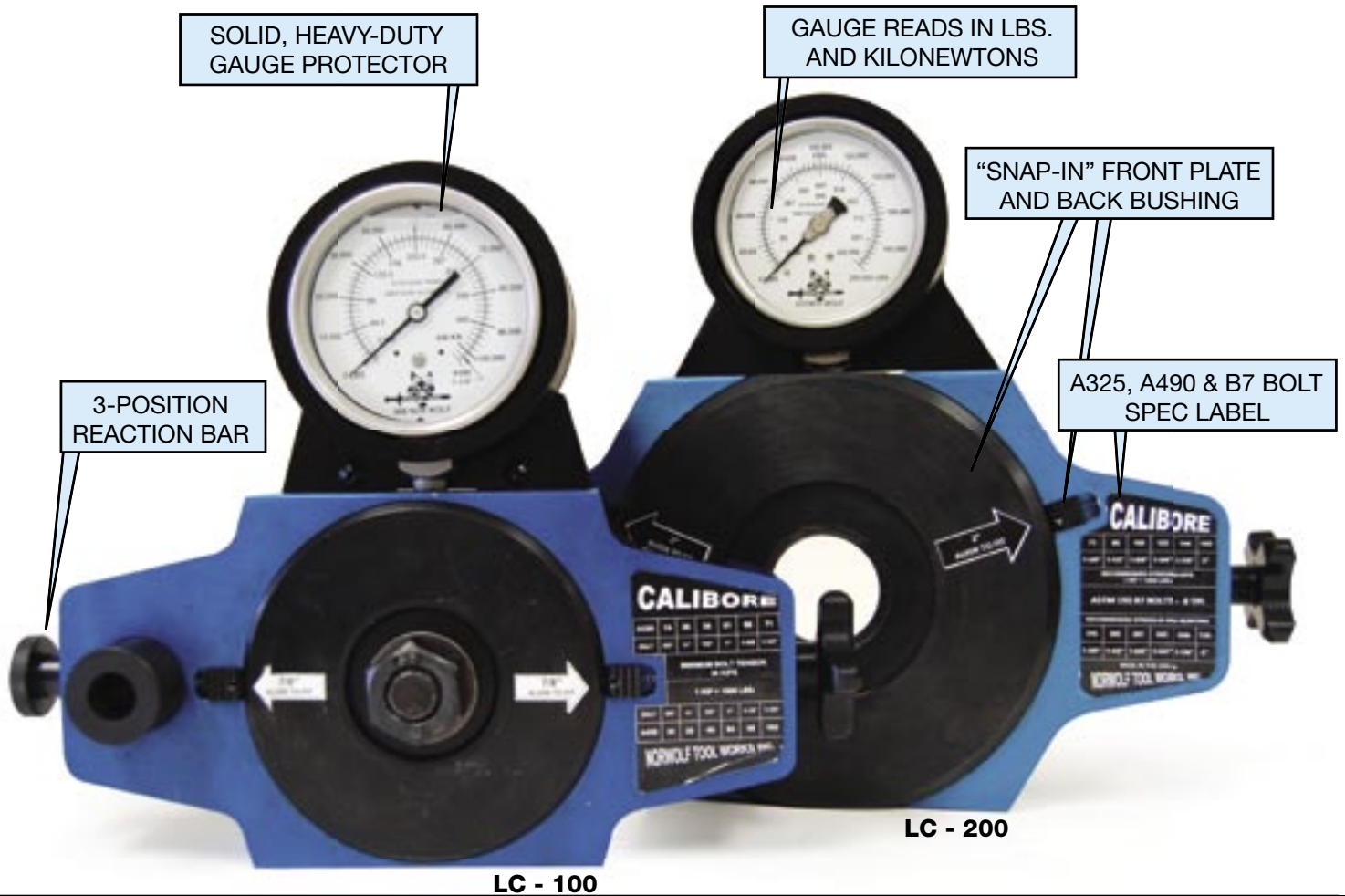
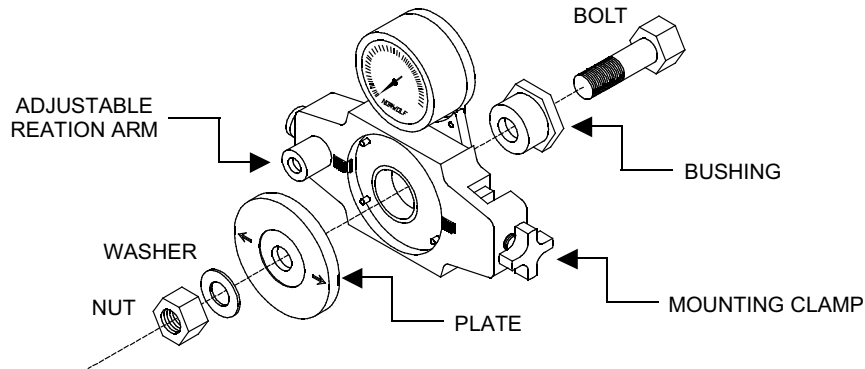
CALIBORE

F1	F6	F8	F10	F14	F18
1.315"	1.625"	1.875"	2.125"	2.375"	2"
RECOMMENDED STRESS IN BOLTS 100% - 1000 LBS.					
ASTM 193 B7 BOLTS - 8 TPI					
RECOMMENDED STRESS IN WELD NUTS					
116	140	167	203	244	278
1.315"	1.625"	1.875"	2.125"	2.375"	2"

MADE IN THE USA BY
NORWOLF TOOL WORKS, INC.

Norwolf[®] Tool Works, Inc. is proud to present
 The **CALIBORE**[™]
 The worlds only universal bolt test calibrator.

Norwolf® Tool Works, Inc. is proud to present
 The **CALIBORE™**
U.S. AND INTERNATIONAL PATENTS PENDING
UNIVERSAL BOLT / TOOL CALIBRATOR



THE BOLT TENSION CALIBRATOR FOR

**Impact Wrench • Manual Torque Wrench • Nutrunner
 Hydraulic Torque Wrench • Torque Multiplier**



A variety of bolts and washers for use with Calibore. Accessories include test bolts, sockets, rear hex sockets and extended reaction arms.



Norwolf Calibore 100 in fitted case.



Use with T-Con base bolt tensioner.



Use with Conex 2.



Use with extended reaction arm and air torque multiplier.



Use with impact wrench mounted on beam.



Use with Unitorc 1 hydraulic wrench.

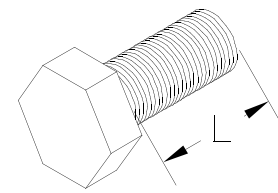
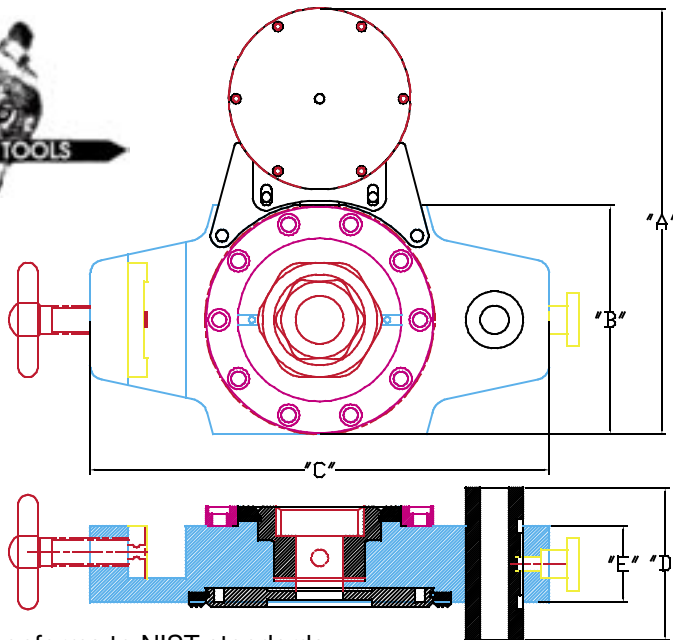


Use with Missing Link and hand torque wrench.

ALL BOLTS USING THE FOLLOWING TOOLS:



- Pneumatic Torque Wrench
- Hydraulic Bolt Tensioner
- Missing Link
- DTI Squirters and TC break-off bolts



REQUIRED MINIMUM BOLT LENGTH		
LC 100	BOLT DIAMETER	LC 125
1-5/8" L	5/8"	1-5/8" L
1-3/4" L	3/4"	1-3/4" L
1-7/8" L	7/8"	1-7/8" L
2" L	1"	3" L
3-1/8" L	1-1/8"	3-1/8" L
3-1/4" L	1-1/4"	3-1/4" L
LC 200	BOLT DIAMETER	LC 250
3-1/8" L	1-3/8"	3-3/4" L
3-1/4" L	1-1/2"	3-7/8" L
3-3/8" L	1-5/8"	4" L
3-1/2" L	1-3/4"	4-1/8" L
4-3/8" L	1-7/8"	4-3/8" L
4-1/2" L	2"	4-1/2" L

Calibre™ conforms to NIST standards.

MODEL	"A"	"B"	"C"	"D"	"E"	WEIGHT *
LC 100	11.153"	6.00"	12.00"	4.00"	2.00"	17.5 lbs.
LC 125	11.153"	6.00"	12.00"	4.00"	2.00"	17.5 lbs.
LC 200	13.132"	8.00"	14.20"	5.00"	2.50"	30 lbs.
LC 250	13.132"	8.00"	14.20"	5.00"	2.50"	30 lbs.

*Weight is basic unit – does not including plate or bushing . Dimensions subject to change.

Safely calibrate A325 and A490 bolts from 1/2" to 1-1/4" with LC-100 or LC-125 and bolt sizes 1-3/8" to 2" with LC-200 or LC-250, as well as standard (B7) ASTM 193 bolts Standard and Heavy Hex Bolts

Assorted size Plate Kits, optional Mounting Plate, clamp tightening Hex bar and Reaction Arm Extension available.

LC-100	DESCRIPTION			LC-125
CBT-100	BASIC UNIT for bolts ranging in size from 1/2" to 1-1/4"			CBT-125
CBT-100-K4	BASIC UNIT with (4) PLATE SET SIZES: 7/8", 1" 1-1/8" and 1-1/4"			CBT-125-K4
CBT-100-K6	BASIC UNIT with (6) PLATE SET SIZES: 5/8", 3/4", 7/8", 1" 1-1/8" and 1-1/4"			CBT-125-K6
	STANDARD HEX SIZE	BOLT DIAMETER	HEAVY HEX SIZE	
CBT-100-PS-062-(H) (S)	15/16"	5/8" Plate and Hex Bushing	1-1/16"	CBT-125-PS-062-(H) (S)
CBT-100-PS-075-(H) (S)	1-1/8"	3/4" Plate and Hex Bushing	1-1/4"	CBT-125-PS-075-(H) (S)
CBT-100-PS-087-(H) (S)	1-5/16"	7/8" Plate and Hex Bushing	1-7/16"	CBT-125-PS-087-(H) (S)
CBT-100-PS-100-(H) (S)	1-1/2"	1" Plate and Hex Bushing	1-5/8"	CBT-125-PS-100-(H) (S)
CBT-100-PS-112-(H) (S)	1-11/16"	1-1/8" Plate and Hex Bushing	1-13/16"	CBT-125-PS-112-(H) (S)
CBT-100-PS-125-(H) (S)	1-7/8"	1-1/4" Plate and Hex Bushing	2"	CBT-125-PS-125-(H) (S)

LC-200	DESCRIPTION			LC-250
CBT-200	BASIC UNIT for bolts ranging in size from 1-3/8" to 2"			CBT-250
	STANDARD HEX SIZE	BOLT DIAMETER	HEAVY HEX SIZE	
CBT-200-PS-137-(H) (S)	2-1/16"	1-3/8" Plate and Hex Bushing	2-3/16"	CBT-250-PS-137-(H) (S)
CBT-200-PS-150-(H) (S)	2-1/4"	1-1/2" Plate and Hex Bushing	2-3/8"	CBT-250-PS-150-(H) (S)
CBT-200-PS-162-(H) (S)	2-7/16"	1-5/8" Plate and Hex Bushing	2-9/16"	CBT-250-PS-162-(H) (S)
CBT-200-PS-175-(H) (S)	2-5/8"	1-3/4" Plate and Hex Bushing	2-3/4"	CBT-250-PS-175-(H) (S)
CBT-200-PS-187-(H) (S)	2-13/16"	1-7/8" Plate and Hex Bushing	2-15/16"	CBT-250-PS-187-(H) (S)
CBT-200-PS-200-(H) (S)	3"	2" Plate and Hex Bushing	3-1/8"	CBT-250-PS-200-(H) (S)

CBT-HB-01	Optional Hex Bar
CBT-125-MTG-01	Optional Mounting Plate for LC100 and LC125
CBT-250-MTG-01	Optional Mounting Plate for LC200 and LC250
CBT-125-RA-EXT-01	Optional Reaction Arm Extension for LC100 and LC125
CBT-250-RA-EXT-01	Optional Reaction Arm Extension for LC200 and LC250

SPECIFY (H) FOR HEAVY OR (S) FOR STANDARD

NORWOLF QUALITY STANDARD AQ-2020

All tools and products in this catalog conform to the rigid requirements of Norwolf Quality Standard AQ-2020.

NORWOLF® TOOL WORKS, Inc.

6 Sullivan Street, Westwood, NJ 07675
 (201) 666-6655 • FAX: (201) 666-7611 • 1-888-NORWOLF
 www.norwolf.com

The specifications, illustrations, and descriptions in this catalog are subject to change.
 All trademarks are the property of Norwolf Tool Works, Inc.

Copyright © 2009 Norwolf Tool Works, Inc.
 Printed in USA